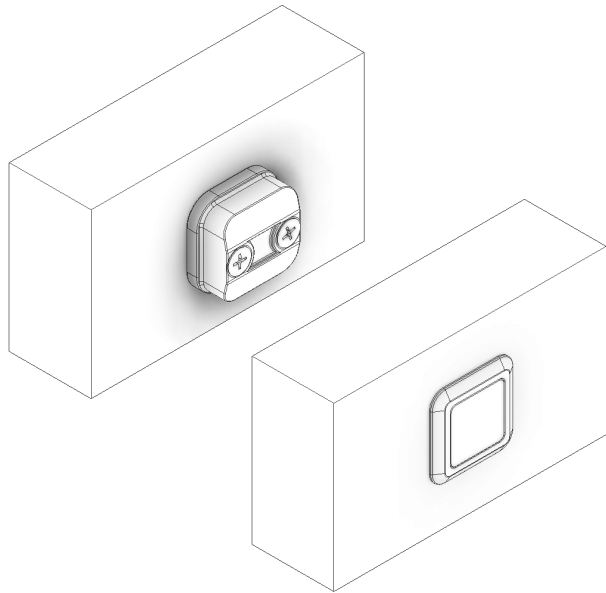
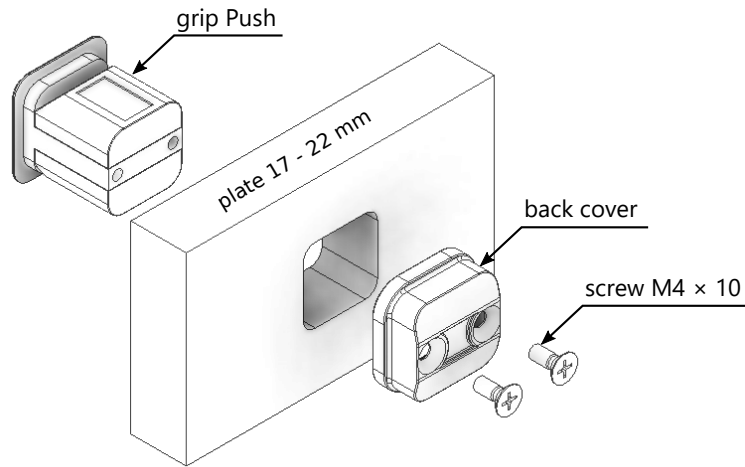

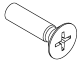


# MOUNTING HAND GRIP PUSH FOR A PLATE



mounting A



component	počet
 grip Push	1 pc
 screw M4 according to the thickness of the plate	2 pcs

mounting B

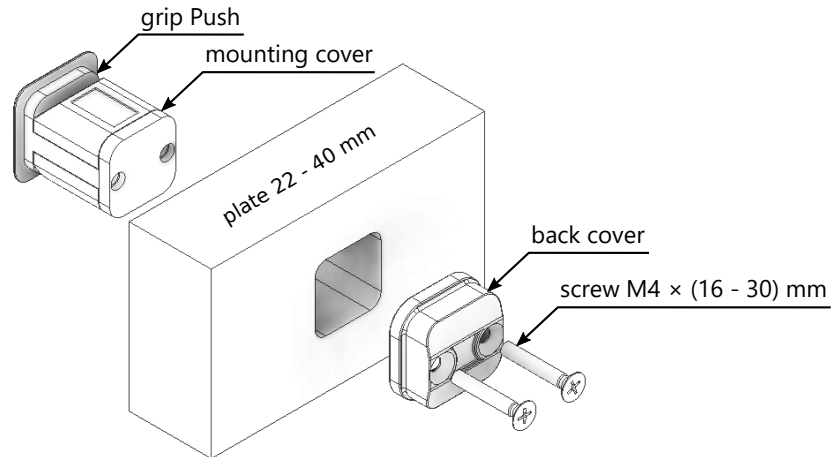
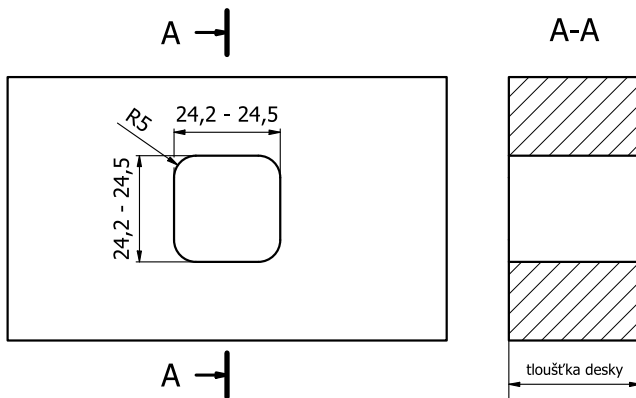
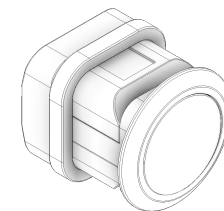


plate thickness mm	screw length mm	mounting type images
17 - 22	10	A
22 - 25	16	B
25 - 30	20	B
30 - 35	25	B
35 - 40	30	B

milling of the plate



grip Push round



grip Push square

