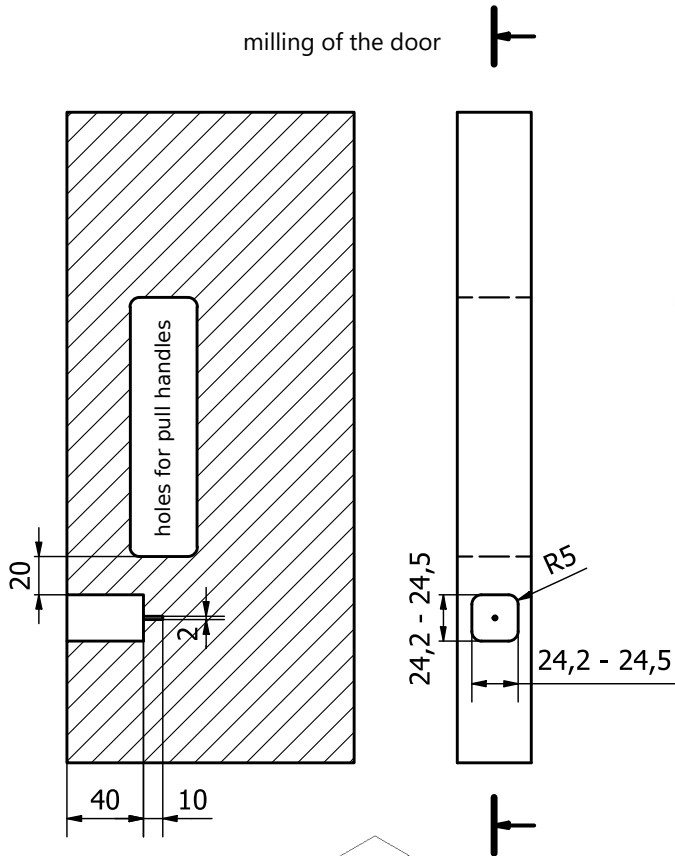






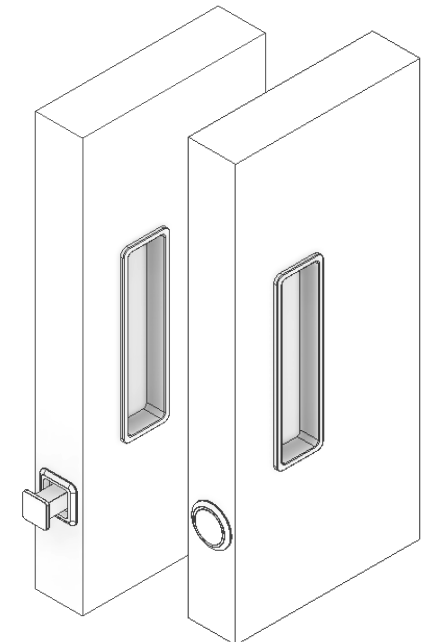
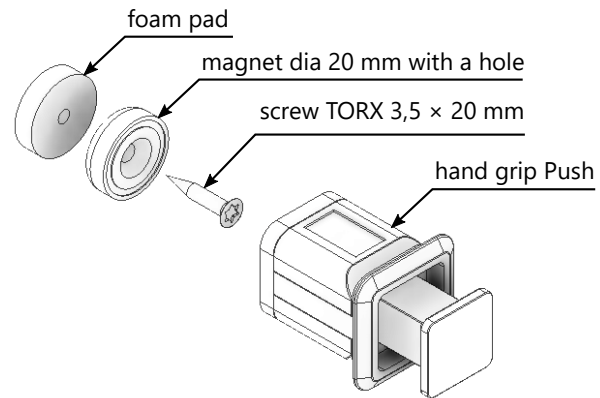
# MOUNTING HAND GRIP PUSH + MAGNET

milling of the door



door

component	quantity
 hand grip Push	1 pc
 magnet dia 20 with a hole	1 pc
 foam pad	1 pc
 screw TORX 3,5 x 20 mm	1 pc



hand grip Push round hand grip Push square

